

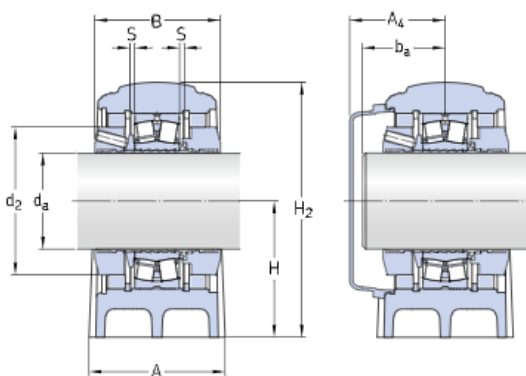
SYNT 40 L Pillow block roller bearing units

Pillow block roller bearing units

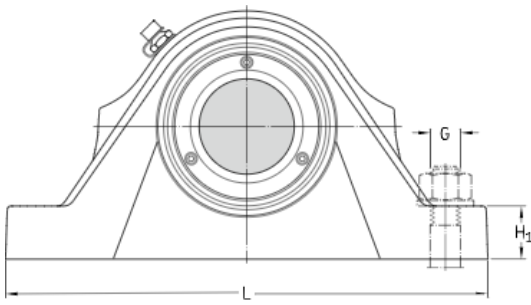
Technical specification

Metric/Inch series	Metric
Bearing type	Spherical roller bearing
Bearing position	Non-locating
Locking method	SKF ConCentra
Sealing solution	Radial lip seals

DIMENSIONS



d_a	40 mm
d_2	66 mm
A	60 mm
B	65 mm
H	60 mm
H_1	25 mm
H_2	114 mm
J	170 mm
L	205 mm
N	15 mm
N_1	20 mm
S	2.5 mm

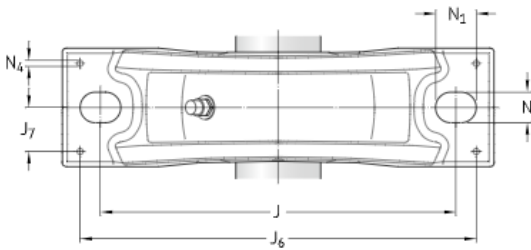


SHAFT END

A_3	51 mm
ba max.	max. 43 mm
ba min.	min. 34 mm

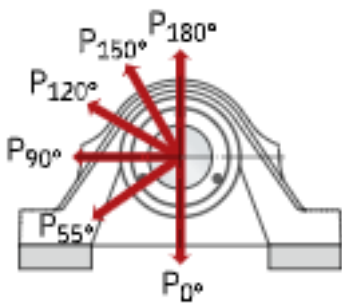
DOWEL PINS

J_6	185 mm
J_7	21 mm
N_4	6 mm



CALCULATION DATA

Basic dynamic load rating	C	96.5 kN
Basic static load rating	C_0	90 kN
Fatigue load limit	P_u	9.8 kN
Limiting speed		3 800 r/min
Calculation factor	e	0.28
Calculation factor	Y_1	2.4
Calculation factor	Y_2	3.6
Calculation factor	Y_0	2.5
Bearing mean diameter	d_m	60 mm
Included bearing		22208 EKS
Axial holding force of the locking mechanism	P_a	15 kN



BREAKING LOADS

P_{0°	160 kN
P_{55°	265 kN
P_{90°	160 kN
P_{120°	100 kN
P_{150°	90 kN
P_{180°	110 kN

MASS

Mass bearing unit	3.8 kg
-------------------	--------

MOUNTING INFORMATION

Attachment bolt diameter	G	12 mm
Tightening torque for attachment bolts		80 N·m
Set screws		M6
Tightening torque for set screws		8 N·m
Grease quantity for relubrication		4 g

ASSOCIATED PRODUCTS

End cover	ECY 208
-----------	---------

More information

Product details	Engineering information	Engineering tools
Pillow block units - metric	Principles of selecting mounted bearing solutions	Bearing Select
Pillow block units - inch	Bearing failure and how to prevent it	Rolling bearings mounting and dismounting instructions
Permissible misalignment		
Locating / non-locating support pillow		
Loads		
Temperature limits		
Permissible speed		
Lubrication		
Mounting and dismounting		
Condition Monitoring		
Associated products		
Ordering information		
Designation system for SKF Pillow block roller bearing units		

Terms and conditions

By accessing and using this website / app of SKF Group, meaning AB SKF and / or any of its affiliates ("SKF"), you agree to the following terms and conditions:

Warranty Disclaimer and Limitation of Liability

Although every care has been taken to assure the accuracy of the information on this website / app, SKF provides this information "AS IS" and DISCLAIMS ALL WARRANTIES, EXPRESS OR IMPLIED, INCLUDING, BUT NOT LIMITED TO, IMPLIED WARRANTIES OF MERCHANTABILITY AND FITNESS FOR A PARTICULAR PURPOSE. You acknowledge that your use of this website / app is at your sole risk, that you assume full responsibility for all costs associated with use of this website / app, and that SKF shall not be liable for any direct, incidental, consequential, or indirect damages of any kind arising out of your access to, or use of the information or software made available on this website / app. Any warranties and representations in this website / app for SKF products or services that you purchase or use will be subject to the agreed upon terms and conditions in the contract for such product or service. Further, for non-SKF websites / apps that are referenced in our website / app or where a hyperlink appears, SKF makes no warranties concerning the accuracy or reliability of the information in these websites / apps and assumes no responsibility for material created or published by third parties contained therein. In addition, SKF does not warrant that this website / app or these other linked websites / apps are free from viruses or other harmful elements.

Copyright

Copyright in this website / app copyright of the information and software made available on this website / app rest with SKF or its licensors. All rights are reserved. All licensed material will reference the licensor that has granted SKF the right to use the material. The information and software made available on this website / app may not be reproduced, duplicated, copied, transferred, distributed, stored, modified, downloaded or otherwise exploited for any commercial use without the prior written approval of SKF. However, it may be reproduced, stored and downloaded for use by individuals without prior written approval of SKF. Under no circumstances may this information or software be supplied to third parties.

This website / app includes certain images used under license from Shutterstock, Inc.

Trademarks and Patents

All trademarks, brand names, and corporate logos displayed on the website / app are the property of SKF or its licensors, and may not be used in any way without prior written approval by SKF. All licensed trademarks published on this website / app reference the licensor that has granted SKF the right to use the trademark. Access to this website / app does not grant to the user any license under any patents owned by or licensed to SKF.

Changes

SKF reserves the right to make changes or additions to this website / app at any time.