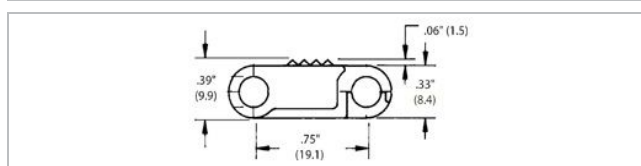
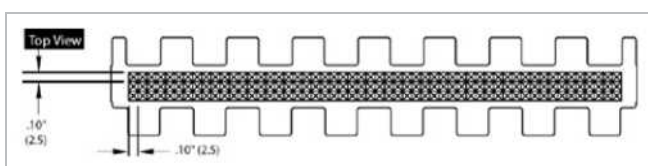
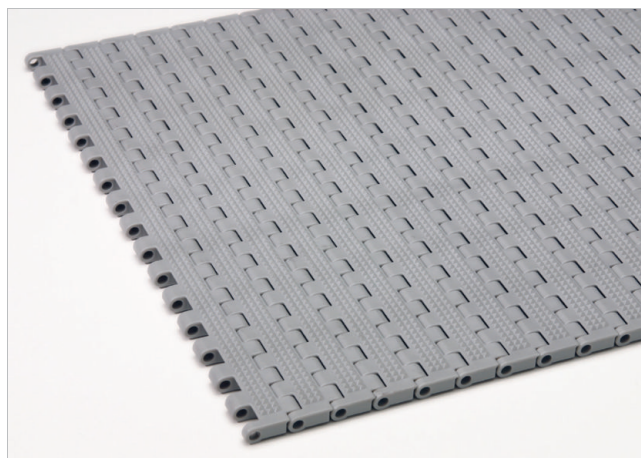


HabasitLINK® 106 RT (106 Rough Top)



Description

- 3/4 inch pitch
- Food approved materials
- Bi-directional
- Connecting rod diameter = 0.188 inch (4.8 mm)
- Standard belt width increments = 3/4 inches (19.1 mm) nominal, starting from 3 inches (76.2 mm)
- Material selection may affect belt width — please contact your local partner for actual dimensions



Belt data

Belt material		PP
Rod material		PP
Nominal tensile strength F'_N straight run	N/m lb/ft	5487 376
Temperature range	°C °F	5 - 105 40 - 220
Belt weight m_b	kg/m ² lb/sqft	4.9 1.00
Standard belt color		gray

Diameter of idling rollers (minimum)	
mm	inch
31	1.20

Standard range of belt widths in increments of 0.75" (19.1mm) starting from 3" (76.2mm")

TPE: Consult your local partner for rough top high friction patterns.

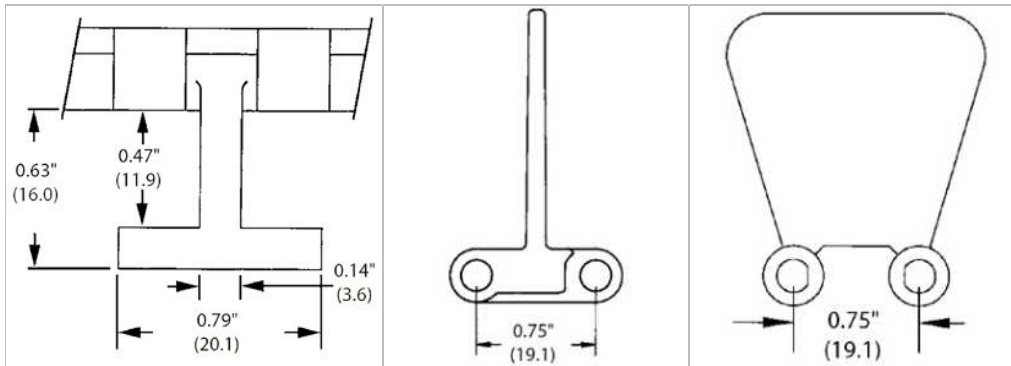
Additional belt colors and materials available, abrasive resistant Nylon (Polyamide) rods available.

HabasitLINK®

106 RT (106 Rough Top)



Belt accessories



Hold-down tabs

Flights

Standard flights are available in 1-1/2" (38.1 mm) and 3" (76.2 mm) heights

Side guards

Side guards are available in 1" (25.4 mm) and 1-1/2" (38.1 mm) heights

Disclaimer

Product Application Disclaimer (valid for ALL Habasit products and mentioned on all PDS)

This disclaimer is made by and on behalf of Habasit and its affiliated companies, directors, employees, agents and contractors (hereinafter collectively "HABASIT") with respect to the products referred to herein (the "Products"). SAFETY WARNINGS SHOULD BE READ CAREFULLY AND ANY RECOMMENDED SAFETY PRECAUTIONS BE FOLLOWED STRICTLY! Please refer to the Safety Warnings herein, in the Habasit catalogue as well as installation and operating manuals. All indications / information as to the application, use and performance of the Products are recommendations provided with due diligence and care, but no representations or warranties of any kind are made as to their completeness, accuracy or suitability for a particular purpose. The data provided herein are based on laboratory application with small-scale test equipment, running at standard conditions, and do not necessarily match product performance in industrial use. New knowledge and experience may lead to re-assessments and modifications within a short period of time and without prior notice. EXCEPT AS EXPLICITLY WARRANTED BY HABASIT, WHICH WARRANTIES ARE EXCLUSIVE AND IN LIEU OF ALL OTHER WARRANTIES, EXPRESS OR IMPLIED, THE PRODUCTS ARE PROVIDED "AS IS". HABASIT DISCLAIMS ALL OTHER WARRANTIES, EITHER EXPRESS OR IMPLIED, INCLUDING, BUT NOT LIMITED TO, IMPLIED WARRANTIES OF MERCHANTABILITY, FITNESS FOR A PARTICULAR PURPOSE, NON-INFRINGEMENT, OR ARISING FROM A COURSE OF DEALING, USAGE, OR TRADE PRACTICE, ALL OF WHICH ARE HEREBY EXCLUDED TO THE EXTENT ALLOWED BY APPLICABLE LAW. BECAUSE CONDITIONS OF USE IN INDUSTRIAL APPLICATION ARE OUTSIDE OF HABASIT'S CONTROL, HABASIT DOES NOT ASSUME ANY LIABILITY CONCERNING THE SUITABILITY AND PROCESS ABILITY OF THE PRODUCTS, INCLUDING INDICATIONS ON PROCESS RESULTS AND OUTPUT.